



SPEAKER DESIGN • PROTOTYPE • PRODUCTION for ALL INDUSTRIES

SPEAKERS for Manufacturer's & OEMs

Standard & Custom Configurations Available

Model: CW-160-S1804D-1

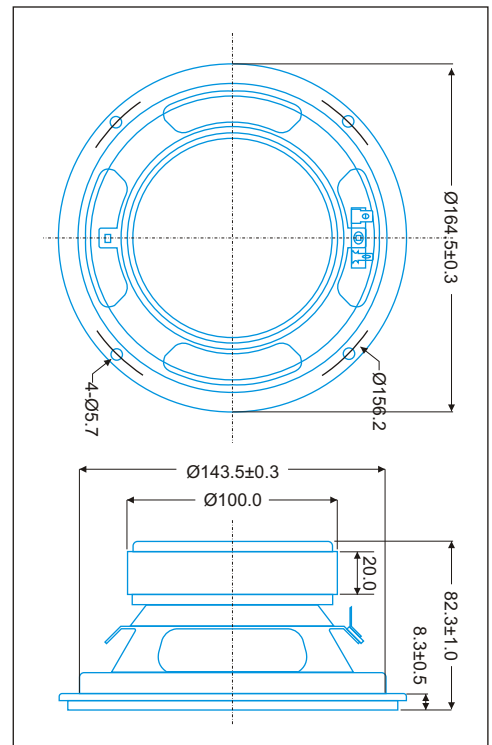
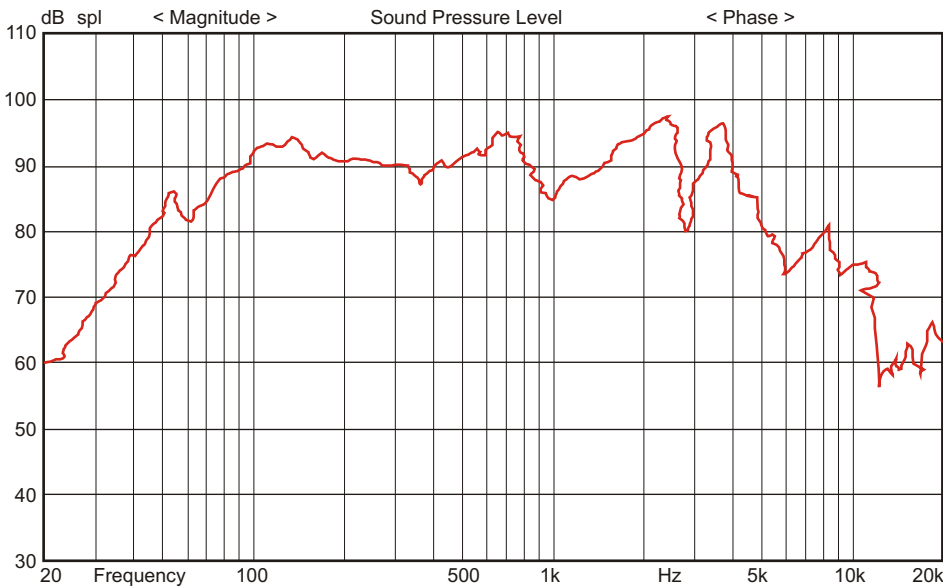


GENERAL SPECIFICATIONS -

Size: 164.5mm (6.5")
 Impedance: (8) \pm 15% Ω
 Power-Nominal: 50 Watt.
 Power-Max: (---) Watt.
 Magnet: 100*60*20 (Wt: 17.72 oz.)
 Unit Weight: 1450 g

PERFORMANCE SPECIFICATIONS -

Operation	To be normal Musical Source: (15) Watt.
Input	To be normal Oscillator: (9.3) Volt.
Impedance	(8) \pm 15% Ohm. Measure at (300) Hz.
Resonant Freq.	(70) \pm 20% Hz. Measure at 1 volt
Freq. Response	1) No great difference than standard sample. 2) Range: Fo--(2K) Hz. Dev.20dB From S.P.L
Sensitivity	(86) \pm 3 dB AVG. 300 / 400 / 500 / 600 Hz
Polarity	Cone paper moves up/forward when connected positive side of v/c terminal with positive side of DC power supply.
Load test	White noise 15w/8 hour (Sub-woofer)
Remark	Foam edge - paper cone



Global Sourcing - Local Service

www.EBYaudio.com · info@EBYaudio.com

Tel: (516) 576-7777 · Fax: (516) 576-1414

A Dept of: EBY Electro, Inc · 210 Express St · Plainview, NY 11803-2423 USA